



3M **6864/37000***
Center Adapter Assembly

User Instructions

Important: Keep these *User Instructions* for reference

*37000 is a catalog number only. NIOSH approved as 3M™ Center Adapter 6864. See the 3M™ Full Facepiece 6000 *User Instructions* for approval label.

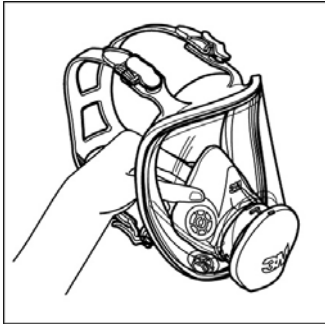


Fig. 1

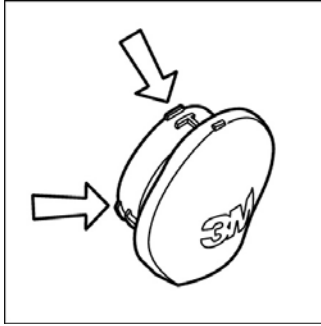


Fig. 2

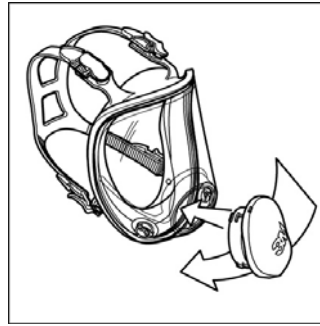


Fig. 3

The 3M™ Center Adapter Assembly 6864 consists of a center adapter base, cover, exhalation valve and adapter gasket. It is secured to the center port of the lens on the 3M™ Full Facepiece 6000 Series with a bayonet style twist lock connection and sealed with a gasket.

To remove the center adapter from the facepiece:

1. Remove the nose cup assembly by pulling away from center adapter base inside facepiece. (Fig. 1)
2. Grasp center adapter at cover and twist counter-clockwise 1/4 turn to disengage bayonet from facepiece lens.
3. Withdraw center adapter from lens center port.

To install center adapter assembly:

1. Align tabs on center adapter base with notches in center port of facepiece lens. (Fig. 2)
2. Slide adapter into lens port. (Fig. 3)
3. Grasp center adapter at cover and twist clockwise 1/4 turn to stop. Be certain center adapter gasket is properly in place and sealed and that the adapter assembly is fully engaged. (Fig. 3)
4. Replace nose cup assembly.

FOR MORE INFORMATION

In United States, contact:

Internet: www.3M.com/occsafety
Technical Service: 1-800-243-4630

For other 3M products:

1-800-3M-HELPS or 1-651-737-6501

**3M Occupational Health and
Environmental Safety Division**

3M Center, Building 0235-02-W-70
St. Paul, MN 55144-1000

©3M 2005

38-9018-9560-7