

3M™ Powered and Supplied Air Respirators

3M™ Powerflow™ Face-Mounted Powered Air Purifying Respirator

Face-mounted PAPRs provide increased airflow and wearer comfort that may help improve productivity. The product is ideally designed for abatement and remediation work. Approved for use with high efficiency particulate filter only.

This powered air purifying respirator helps provide respiratory protection against dust, mist, fumes, radionuclides and radon daughters. Lightweight and face-mounted, it uses a high efficiency particulate filter. Ideal for lead and asbestos, and other abatement applications.

3M™ Powerflow™ Face-Mounted PAPR*

Assembly shown:

UPC: 00051138767129

Product #: 6800PF

3M ID: 70-0708-9011-9

Features and Benefits

- Economically priced
- Compact design fits closely to the wearer
- Increased airflow and wearer comfort
- US OSHA APF 1000 when used in accordance with 3M recommendations and user instructions

Typical Applications

- Abatement
- Mold remediation
- Cutting
- Sweeping

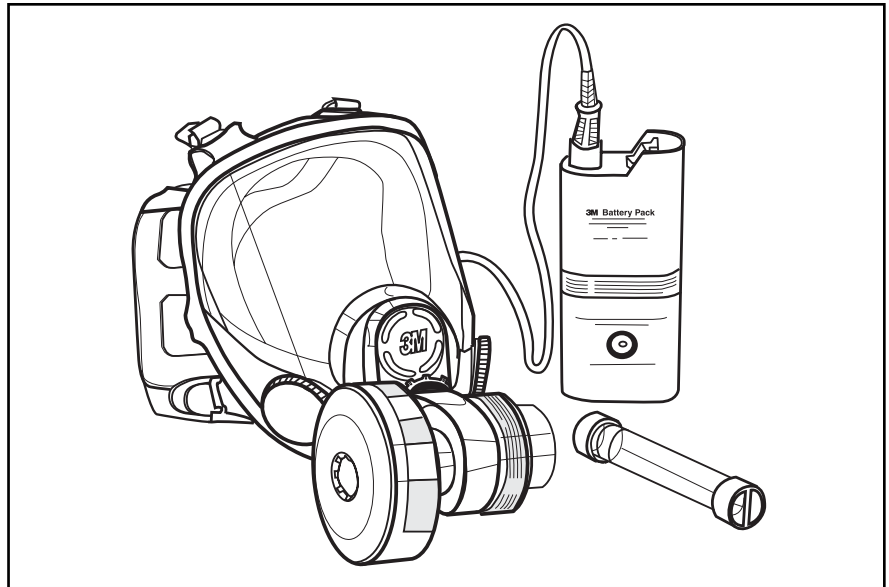


*For full line of products, see page 80.

Powerflow™ Face-Mounted Powered Air Purifying Respirator (PAPR)

Issue Date 1/11/06

The 3M™ Powerflow™ Face-Mounted Powered Air Purifying Respirator's (PAPR) weight is evenly distributed for a comfortable and secure fit. The low profile design provides a good field of vision and makes working in tight spots easier. The face-mounted PAPR uses a single HEPA filter for protection against particulate contaminants such as dusts, mists, fumes and radionuclides, making it ideal for lead, asbestos and other hazardous particulate environments.



3M™ Powerflow™ Face-Mounted Powered Air Purifying Respirator (PAPR)

Features & Benefits

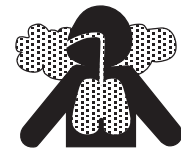
- NIOSH approved
- Positive pressure, constant flow
- Facepiece-mounted motor/airflow unit
- Lightweight, compact, mobile
- Rechargeable NiCd battery pack
- Up to eight hours continuous battery use
- Easily decontaminated

Suggested Applications

- Abatement
- Nuclear/utilities
- Smelting
- Lead reclamation
- Pharmaceutical
- Foundry/steel
- Nuclear

Use For

- Respiratory protection against certain particulate contaminants such as dusts, fumes, and mists
- Radionuclides and radon daughters attached to particles
- Respiratory protection against asbestos-containing dusts and mists



⚠ WARNING

These respirators help reduce exposure to certain airborne contaminants. **Misuse may result in sickness or death.** Before use, the wearer must read and understand *User Instructions* provided as a part of product packaging. Time use limitations may apply. For proper use, see supervisor, packaging or call 3M OH&ESD Technical Service at 1-800-243-4630. In Canada, call 1-800-267-4414 or 1-800-265-1840, ext. 6137.

The 3M™ Powerflow™ PAPR with BP-171S battery pack has been tested and classified for intrinsic safety ("Exia") by Underwriters Laboratory (UL) for use in the following Division I locations: Class I, Group D; Class II, Groups E, F, G; and Class III. Temperature code "T3".

WARNING: The 3M™ Battery Pack BP-171S can be used in environments that require intrinsically safe equipment **ONLY** when the clothing clip and screw are in place. If the clothing clip and screw are not in place, **DO NOT USE** in environments that require intrinsically safe equipment. Misuse may result in serious bodily injury or death.

3M™ Powerflow™ Face-Mounted Powered Air Purifying Respirator (PAPR)

Specifications

Weight

- Full facepiece 22 oz., motor and airflow unit 8 oz., battery pack 26 oz., HEPA filter 4.5 oz.

Battery

- NiCd rechargeable battery pack provides up to 8 hours use per charge. Two years expected battery life with normal use.
- Life: up to 500 charge/discharge cycles (dependent on conditions).

Maximum Use Concentrations

For use up to 1000 x PEL for full facepieces or applicable OSHA or other government limits, whichever is lower.

System Includes:

- 6X00DIN full facepiece
- 024-00-02R01 Powerflow™ motor/airflow unit
- BP-17IS battery pack
- 521-01-43R01 battery charger
- 520-01-21 Powerflow™ airflow indicator
- 450-01-01R06 SP3 HEPA filter

Ordering Information

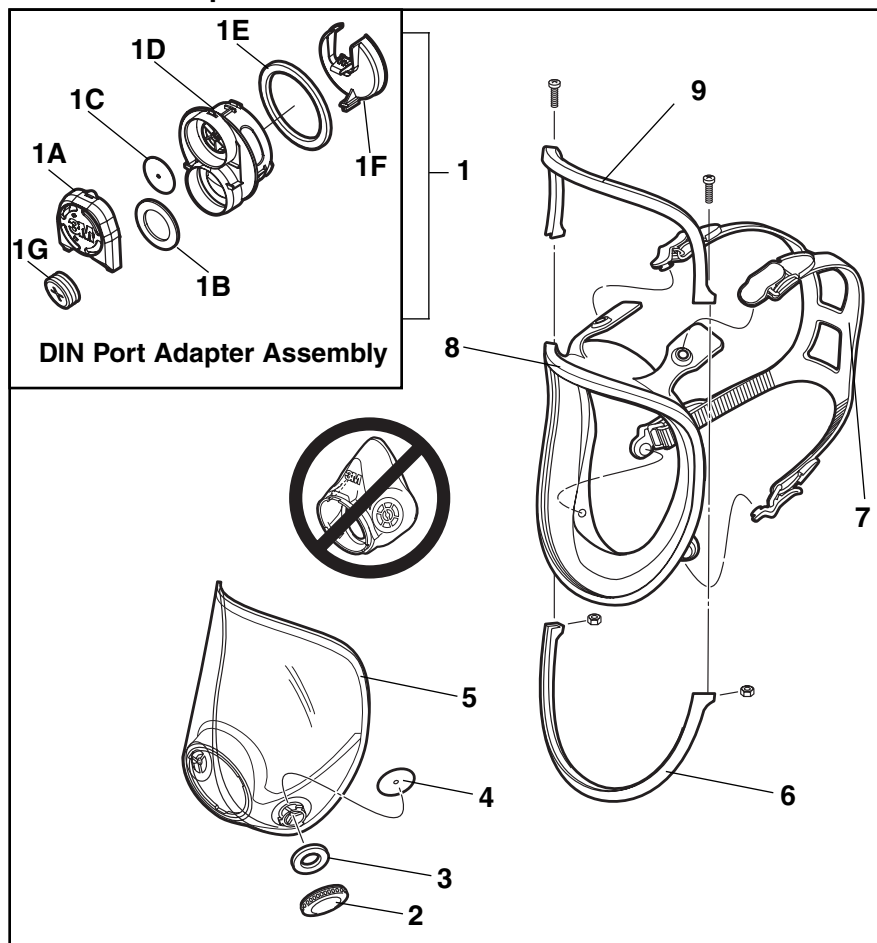
Model	Description	UPC Code
6800PF	Complete Powerflow System — M	0 00 51138 76712 9
6900PF	Complete Powerflow System — L	0 00 51138 76714 3

Replacement Parts for 3M Powerflow Face-Mounted Powered Air Purifying Respirator (PAPR)

Model	Description	Packaging	UPC Code
6800DIN	Full Facepiece – M with DIN connection (remove nose cup)	4 pack	5 00 51138 76702 5
6900DIN	Full Facepiece – L with DIN connection (remove nose cup)	4 pack	5 00 51138 76703 2
024-00-02R01	Motor Blower Unit	1 pack	5 00 51138 54258 5
BP-17IS	Battery Pack	1 pack	
521-01-43R01	Battery Charger	1 pack	0 00 51138 72834 2
520-01-21	Flow Meter (Airflow Indicator)	1 pack	0 00 51138 72056 8
450-01-01R20	SP3 HEPA Filter	20 pack	0 00 51138 72003 2
7925	Spectacle Kit	1 each/box	0 00 51138 28918 8

3M™ Powerflow™ Face-Mounted Powered Air Purifying Respirator (PAPR)

3M™ Full Facepiece 6000 Series Parts and Accessories



⚠ WARNING

The Powerflow Systems (6700PF, 6800PF and 6900PF) are not NIOSH approved for use with a nosecup. If connecting from another 6000 full facepiece system, the 5894 nosecup assembly must be removed. **Failure to do so may result in sickness or death.**

For more information, please contact:

3M Occupational Health and Environmental Safety Division (OH&ESD)

In the U.S., contact:
Sales Assistance
 1-800-328-1667
Technical Assistance
 1-800-243-4630
Fax On Demand
 1-800-646-1655
Internet
www.3M.com/occsafety
For other 3M products
 1-800-3M HELPS

In Canada, contact:
 3M Canada Company, OH&ESD
 P.O. Box 5757
 London, Ontario N6A 4T1
Sales Assistance
 1-800-265-1840, ext. 6137
Technical Assistance (Canada only)
 1-800-267-4414
Fax On Demand
 1-800-646-1655
Internet
www.3M.com/CA/occsafety

Technical Assistance In Mexico
 01-800-712-0646
 5270-2255, 5270-2119 (Mexico City only)
Technical Assistance In Brazil
 0800-132333
Fax On Demand O.U.S. Locations
 1-651-732-6530

Description	No. on Figure	Part Number
DIN Port Adapter Assembly	1	6884
DIN Cover	1A	6882
Breathing Tube Gasket	1B	6876
Exhalation Valve	1C	6889
DIN Port Base	1D	6883
Center Adapter Gasket	1E	6896
DIN Air Director	1F	6881
Full Face Plug	1G	7890
Bayonet Cap	2	6880
Inhalation Port Gasket	3	6895
Inhalation Valve	4	6893
Lens Assembly	5	6898
Frame Assembly w/Screws	6	6899
Head Harness Assembly	7	6897
Face Seal (not available)	8	N/A

3M Occupational Health and Environmental Safety Division
 3M Center, Building 235-2W-70
 St. Paul, MN 55144-1000