

 **Speedglas**™



Adflo PAPR



9100



9100-Air



9100 FX



9100 FX-Air



9100 MP



Fresh-air III SAR



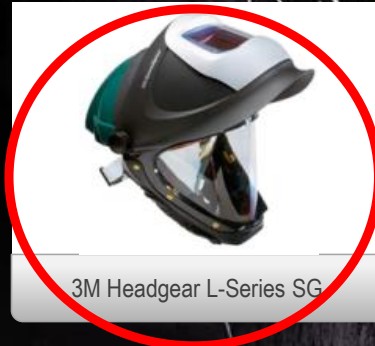
SL



100 Series



3M Welding Helmet 10



3M Headgear L-Series SG



3M Faceshield ClearVisor

PRODUCT OVERVIEW

# 3M Welding PPE Presentation



# Product overview

## Welding Helmet Options

Options	3M™ Speedglas™ Welding Helmet 9100 Series and 3M™ Headgear L-Series SG					3M™ Speedglas™ Welding Helmet SL	3M™ Speedglas™ Welding Helmet 100 series			3M™ Welding Helmet 10
Welding Filters	 9100XXi    9100XX    9100X    9100V    9100 Passive					 SL	 100V    100S-10    100S-11			 10V
Welding Helmets										

Options	With Hard Hat (Non-Air)			With 3M™ Adflo™ Powered Air Purifying Respirator			With 3M™ Speedglas™ Fresh Air III Supplied Air Regulator		
Welding Helmet Systems									

## 3M™ Headgear L-Series SG / L-705 SG



## 3M™ Headgear L-Series SG / L-905 SG

Welding helmet with welding shield and wideview faceshield

Continuous airflow reduces breathing resistance and helps provide respiratory protection without the need for a tight face seal. No fit testing required.

Supplied air systems allow workers to regulate the airflow, as well as cool or heat the air entering the headgear – ideal for extreme temperature working environments.

Can be worn with limited facial hair, prescription eyewear or safety glasses.

**NOTE:** May be used with facial hair and beards that do not extend into the neck collar.



Select from a passive welding filter\* or from 3M™ Speedglas™ Welding Filter Series 9100 with superior optical performance for continuous viewing comfort.

Wideview faceshield allows for excellent peripheral and downward vision.

Meets the requirements of ANSI Z87.1-2003 and ANSI Z89.1-2003, Type II Class G hard hats. Also meets CAN/CSA Z94.1-92.

\* For another passive option, use L-905SG-F headgear.

## 3M™ Headgear L-Series SG

Welding filter options	9100XXi Filter	9100XX Filter	9100X Filter	9100V Filter
Viewing area welding filter (approx.)	2.8 x 4.2 in. (72 x 107 mm)	2.8 x 4.2 in. (72 x 107 mm)	2.1 x 4.2 in. (54 x 107 mm)	1.8 x 3.7 in. (45 x 93 mm)
Battery lifetime (approx.)	1800 Hours	2000 hours	2500 hours	2800 hours
Solar cell	NO	NO	YES	
Hard hat options	YES	YES		
Classification (per EN 379)*	2.8 x 4.2 in. (72 x 107 mm)	1 / 1 / 1 / 2		
Dark state	Shade 5, 8, 9, -13	Shade 5, 8, 9-13		
Light state	Shade 3	Shade 3		
UV/IR Protection	Shade 13 (permanent)	Shade 13 (permanent)		
Auto ON	YES	NO		
Switching time, light –dark (approx.)	0.1 ms (+23°C)	0.1 ms (+23°C)		
Delay: switching time, dark-light (approx.)	40–1 300 ms	40–1 300 ms		
Side windows option	YES	NO		
Exhaust vents	N/A	N/A		
Number of sensors (arc detection)	3	3		
<b>Approvals Head, Eye and Face protection</b> Welding helmet, Welding filter, Protection plates Hard Hat	ANSI Z87.1 – 2003 / CSA Z94.3 ANSI Z89.1-2003 Type II Class G; (L-905SG meets CAN/CSA Z94.1)			
<b>Approval Respiratory Protection</b> Adflo Powered Air Purifying Respirator Fresh-air III supplied air valve	APF 25 (L-705 SG); APF 1000 (L-905 SG) APF 25 (L-705 SG); APF 1000 (L-905 SG)			

\* Per European Standard EN 379, auto-darkening welding filters have a four-part classification: optical class / diffusion of light / variation on luminous transmittance / angle dependence.

Classifications range from 1 to 3, with 1 being the best.



FEATURES

TECHNICAL FACTS

ACCESSORIES

PARTS LIST

## 3M™ Headgear L-Series SG



**L-125-2**  
Welding shroud, flame  
retardant



**L-127**  
Welding shroud, leather



**L-184**  
High temperature welding  
shield



**06-0500-56 – 06-0500-59**  
Magnification plates 1.5X, 2.0X, 2.5X  
and 3.0X



**35-5401-02SG**  
3M™ Adflo™ Turbo Assembly

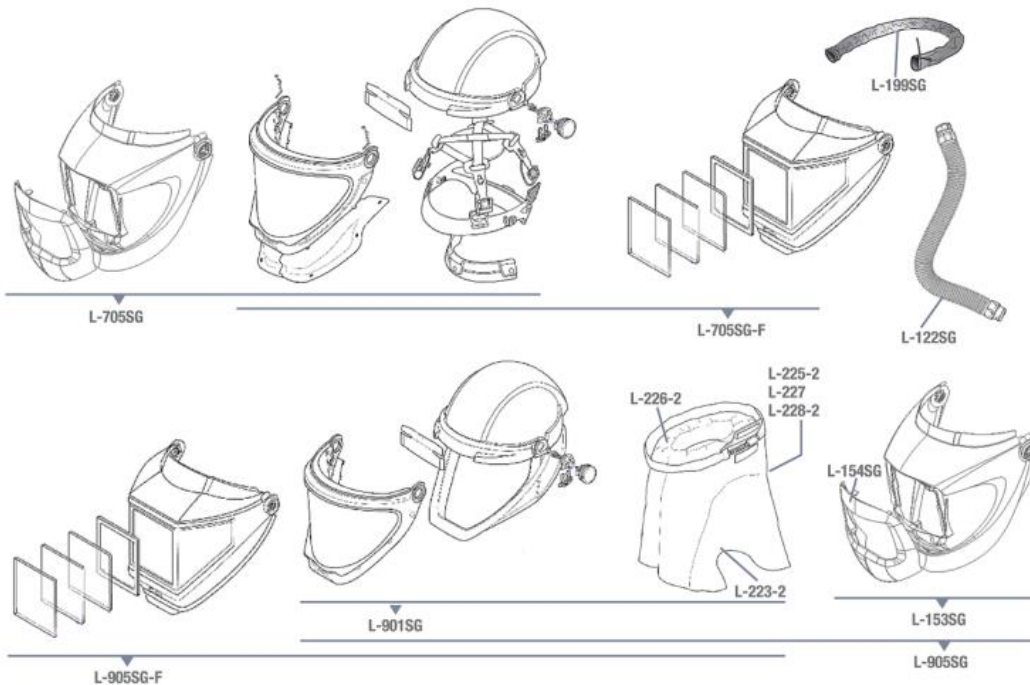


**35-3499-01**  
3M™ Adflo™ Turbo Assembly with  
High Altitude Compensation (comes  
with battery; no belt or breathing tube)



**V-100** Vortex cooling assembly  
**V-200** Vortemp heating assembly  
**V-300** Air-regulating valve  
**V-400** Low pressure connector assembly

## 3M™ Headgear L-Series SG



Part No	Description
34-0705-SGV	Hard Hat L-705SG wideview faceshield with Speedglas welding filter 9100V and Adflo PAPR with HE filter and lithium ion battery
34-0705-SGX	Hard Hat L-705SG wideview faceshield with Speedglas welding filter 9100X and Adflo PAPR with HE filter and lithium ion battery
34-0705-SGXX	Hard Hat L-705SG wideview faceshield with Speedglas welding filter 9100XX and Adflo PAPR with HE filter and lithium ion battery
34-0905-SGV	Helmet L-905SG wideview faceshield with Speedglas welding filter 9100V and Adflo PAPR with HE filter and lithium ion battery
34-0905-SGX	Helmet L-905SG wideview faceshield with Speedglas welding filter 9100X and Adflo PAPR with HE filter and lithium ion battery
34-0905-SGXX	Helmet L-905SG wideview faceshield with Speedglas welding filter 9100XX and Adflo PAPR with HE filter and lithium ion battery



### Personal Safety Division

3M Center, Building 235-2W-70

St. Paul, MN 55144-1000

USA

Phone 1-800-328-1667

Web [www.3M.com/workersafety](http://www.3M.com/workersafety)

3M PSD products are occupational use only.

3M Personal Safety  
Service & Technical Support Center

1-800-243-4630 or visit [www.3M.com/workersafety](http://www.3M.com/workersafety)

**For a complete listing of parts, visit us at:  
[www.3M.com/weldingsafety](http://www.3M.com/weldingsafety)**

**Note:** Welding can create a variety of harmful fumes and gases. When engineering controls are impractical, respirators may be required to help reduce exposures to these airborne welding contaminants.

3M, Speedglas and Adflo are trademarks of 3M. Used under license in Canada.

Please recycle. Printed in U.S.A. © 3M 2016.



### **⚠WARNING**

These respirators help protect against certain airborne contaminants. Before use, the wearer must read and understand the User Instructions provided as a part of the product packaging. A written respiratory protection program must be implemented meeting all the requirements of OSHA 1910.134 including training, fit testing and medical evaluation. In Canada, CSA standards Z94.4 requirements must be met and/or requirements of the applicable jurisdiction, as appropriate. Misuse may result in sickness or death. For proper use, see packaging instructions, supervisor, or call 3M OH&ESD Technical Service in USA at 1-800-243-4630 and in Canada at 1-800-267-4414.

### **⚠WARNING**

This product is designed to help protect the wearer's eyes and face from harmful radiation including visible light, ultra-violet radiation (UV), infra-red radiation (IR), sparks and spatter resulting from welding processes. These products must be used only by qualified persons who are properly trained in their use and maintenance. Misuse may result in permanent eye injury and vision loss. Always wear ANSI Z87.1 compliant safety spectacles in addition to any welding helmet. For proper use, see supervisor, or User Instructions or call 3M in U.S.A.1-800-243-4630. In Canada, call Technical Service at 1-800-267-4414.